

# SOLAR AND ROLLER SHADES

## Table of Contents

<b>Features</b>	
Summary . . . . .	2
Roller Shade Fabrics . . . . .	3
Fabric Colors and Information: Roller Shades . . . . .	3
Light Control and Privacy . . . . .	3
Solar Shade Fabrics . . . . .	4
Fabric Colors and Information: Solar Shades . . . . .	4
Fabric Recommendations . . . . .	5
Fabric Disclaimers . . . . .	5
Fabric Width . . . . .	5
Pattern Alignment . . . . .	5
<b>Size Considerations</b>	
Minimum Shade Size . . . . .	6
Maximum Shade Size . . . . .	6
Spring Assist Continuous-Loop Lifting Mechanism . . . . .	6
Mounting Depth Requirements . . . . .	6
<b>Options</b>	
Reverse Roll . . . . .	7
Light Gap . . . . .	7
Valance . . . . .	7
Hem Bar . . . . .	8
Dual Shade . . . . .	8
<b>Simple RTS Features and Size Considerations</b>	
Motorized Lift . . . . .	9
Radio Frequency . . . . .	9
<b>Simple RTS Options</b>	
12-Volt Power Components . . . . .	10
Simple RTS Low Voltage 12-Volt Power Components . . . . .	10
Simple RTS Radio Frequency Control . . . . .	10
<b>General Information</b>	
Cordless Lift Shade Product Detail . . . . .	11
Continuous-Loop Lift Shade Product Detail . . . . .	12
Cleaning Instructions . . . . .	13

# Features

## Summary

Solar and roller shades offer a variety of light control choices and options to maintain your view to the outside. Roller shades complement any decorating style and block damaging UV rays. Solar shades minimize glare, block harmful UV rays, and help control the room's temperature.

- Solar fabrics offer excellent outward visibility, glare control, and temperature reduction in a variety of solid colors
- Solar fabrics are available in 1% and 5% openness; openness determines clarity of view/UV blockage
- Roller fabrics offer a variety of colors, textures, and opacity levels
- Roller shades are available in light-filtering and room-darkening options

Features	Benefits
Cordless Lift	<ul style="list-style-type: none"> <li>• Streamlined appearance with no chains; ideal for homes with children or pets</li> <li>• Color coordinated tassels facilitate easy operation and keep fabrics clean</li> <li>• Optional cassette valance with fabric insert, 3" fascia or no valance</li> </ul>
Continuous Loop Lift	<ul style="list-style-type: none"> <li>• Beaded chain and clutch system make raising and lowering shade easy</li> <li>• Beaded chain remains at same length, regardless of shade position</li> <li>• Hold down device keeps chain taut for enhanced safety. Choose left or right chain location</li> <li>• Optional cassette valance with fabric insert, 3" fascia or no valance</li> <li>• Dual shade offered only with this lift system with 7.5" valance or no valance</li> </ul>
Motorized Lift	<ul style="list-style-type: none"> <li>• Window treatments can be operated from virtually anywhere in the home</li> <li>• Provides easy operation of hard-to-reach or larger windows</li> <li>• Operate multiple window treatments simultaneously or individually</li> <li>• Optional 3" fascia or no valance</li> </ul>
Options	<ul style="list-style-type: none"> <li>• Reverse roll: fabric rolls over the front of tube; standard: material rolls over the back</li> <li>• Hem bar: heat sealed (standard) or fabric wrapped (surcharge option)</li> <li>• Steel chain for Continuous Loop Lift</li> <li>• 3" Fascia available</li> </ul>
Warranty	<ul style="list-style-type: none"> <li>• Limited lifetime warranty</li> </ul>

## Features: Roller Shades

### Roller Shade Fabrics

- Offers a solution for light control, with fabrics ranging from light filtering to room darkening
- Pairs well with any room or decorating style
- Blocks damaging UV rays

### Fabric Colors and Information: Roller Shades

Style Name	Color Name	Light Control	Privacy	Usable Roll Width	Color to Street Side	Motorization Fabric Group	Railroad	Fabric Composition
Classic Neutrals	Clean Canvas	Light Filtering	Moderate	116"	Same front and back	A	•	100% Polyester
	Khaki Essence	Light Filtering	Moderate	116"	Same front and back	A	•	100% Polyester
	Milkshake	Light Filtering	Moderate	116"	Same front and back	A	•	100% Polyester
	Night Owl	Light Filtering	Moderate	116"	Same front and back	A	•	100% Polyester
	Smooth Tusk	Light Filtering	Moderate	116"	Same front and back	A	•	100% Polyester
	Snow Goose	Light Filtering	Moderate	116"	Same front and back	A	•	100% Polyester
	Clean Canvas	Room Darkening	Complete	116"	White	B	•	100% Polyester
	Khaki Essence	Room Darkening	Complete	116"	White	B	•	100% Polyester
	Milkshake	Room Darkening	Complete	116"	White	B	•	100% Polyester
	Night Owl	Room Darkening	Complete	116"	White	B	•	100% Polyester
	Smooth Tusk	Room Darkening	Complete	116"	White	B	•	100% Polyester
	Snow Goose	Room Darkening	Complete	116"	White	B	•	100% Polyester
Fusion	Biscotti	Light Filtering	Moderate	92½"	White	A		100% Polyester
	Fog Intrigue	Light Filtering	Moderate	92½"	White	A		100% Polyester
	Gallant Gray	Light Filtering	Moderate	92½"	White	A		100% Polyester
	Gray Abyss	Light Filtering	Moderate	92½"	White	A		100% Polyester
	Hazel Wood	Light Filtering	Moderate	92½"	White	A		100% Polyester
	Paradise White	Light Filtering	Moderate	92½"	White	A		100% Polyester
	Tan Treasure	Light Filtering	Moderate	92½"	White	A		100% Polyester
Marbled	Candlelight	Room Darkening	Complete	70"	White	B		100% Polyester
	Feathery Fog	Room Darkening	Complete	70"	White	B		100% Polyester
	Shallow Shore	Room Darkening	Complete	70"	White	B		100% Polyester

### Light Control and Privacy

**Light Filtering:** Gently diffuses incoming light for moderate privacy. Allows light to gently filter through while providing moderate privacy. Images and shapes may be seen through these shades, but details are not visible. Deep fabric colors offer better light control than light colors.

**Room Darkening:** Filters most incoming light for increased privacy. Prohibits light from shining through while providing maximum privacy. Prevents shadows and silhouettes from showing through the fabric.

**Light Control:** For optimal light and glare control, outside mount is recommended—or side channels may be added to hide the light gap on an inside mount.

## Features: Solar Shades

### Solar Shade Fabrics

- Maintains an outward view
  - Filters and diffuses light while maintaining an outward view
  - In general, the higher the openness factor and darker the fabric, the clearer the view
- Manages glare
  - Minimizes glare on televisions and home office computers
  - The darker the fabric color, the better the glare control and the better the view to the outside
- Blocks damaging UV rays
  - The amount of UV ray blockage is the inverse of fabric's openness factor (i.e., a fabric with 1% openness blocks 99% of UV rays)
  - Protects your furniture, carpets, artwork, etc. from fading due to harmful UV rays
- Reduces the temperature
  - Solar fabrics reduce heat gain, keeping rooms cooler and increasing the comfort level in your home
  - The lighter the fabric color, the better the temperature control

**NOTE:** Solar shades do not offer nighttime privacy; lighted interiors allow inward visibility. If complete privacy is desired, a secondary treatment is necessary.

### Fabric Colors and Information: Solar Shades

Style Name	Color Name	Openness	GREENGUARD® Certified	Fire Retardant	Usable Roll Width	Color to Streetside	Motorization Fabric Group	Railroad	Fabric Composition
Solar Screen 1%	Beige Haze	1%	•	•	116"	Same front and back	D	•	75% PVC/ 25% Polyester
	Black Panther	1%	•	•	116"	Same front and back	D	•	75% PVC/ 25% Polyester
	Misty Harbor	1%	•	•	116"	Same front and back	D	•	75% PVC/ 25% Polyester
	Night Vision	1%	•	•	116"	Same front and back	D	•	75% PVC/ 25% Polyester
	Very Vanilla	1%	•	•	116"	Same front and back	D	•	75% PVC/ 25% Polyester
	White Chocolate	1%	•	•	116"	Same front and back	D	•	75% PVC/ 25% Polyester
Solar Screen 5%	Beige Haze	5%	•	•	116"	Same front and back	C	•	75% PVC/ 25% Polyester
	Black Panther	5%	•	•	116"	Same front and back	C	•	75% PVC/ 25% Polyester
	Misty Harbor	5%	•	•	116"	Same front and back	C	•	75% PVC/ 25% Polyester
	Night Vision	5%	•	•	116"	Same front and back	C	•	75% PVC/ 25% Polyester
	Very Vanilla	5%	•	•	116"	Same front and back	C	•	75% PVC/ 25% Polyester
	White Chocolate	5%	•	•	116"	Same front and back	C	•	75% PVC/ 25% Polyester

# Features

## Fabric Recommendations

Order all shades for the same room at the same time to ensure color consistency and minimize dye lot variation.

When displaying multiple shades in the same room, we recommend all shades be ordered with the same fabric orientation for a consistent look.

## Fabric Disclaimers

Due to the nature of the weaving process, some imperfections in the weave are normal.

Fabric appearance can vary based on changing light conditions in the room.

## Fabric Width

The fabric width is narrower than the overall shade width. See chart below for measurements.

Control Type	Light Gap Per Side (inches)
Cordless Lift	$\frac{3}{8}$
Cordless Lift with Cassette	$\frac{3}{8}$
Continuous-Loop Lift	$\frac{3}{8}$
Continuous-Loop Lift with Cassette	$\frac{3}{8}$
Motorized Lift	$\frac{9}{16}$ " to $\frac{13}{16}$ "

## Pattern Alignment

Exact alignment of the fabric pattern across side-by-side shades, as well as vertical alignment with cassettes, is not possible. Additionally, fabric patterns may not align with the hem bar.

## Size Considerations

This table provides the estimated maximum shade size available by fabric, control type, and valance style.

### Minimum Shade Size

Cordless Lift 20" x 18"; Continuous-Loop Lift 8" x 8"; Motorized Control 13" x 13"

### Maximum Shade Size

Fabric	Normal Fabric Orientation			
	No Cassette		Including Cassette	
	Width (inches)	Height (inches)	Width (inches)	Height (inches)
<b>Cordless Lift</b>				
Classic Neutrals - Light Filtering	78"	96"	78"	96"
Classic Neutrals - Room Darkening	78"	96"	78"	96"
Fusion - Light Filtering	78"	96"	78"	96"
Marbled - Room Darkening	70"	96"	70"	96"
Solar Screen 1%	78"	96"	78"	96"
Solar Screen 5%	78"	96"	78"	96"
<b>Continuous-Loop Lift</b>				
Classic Neutrals - Light Filtering	128"	144"	116"	144"
Classic Neutrals - Room Darkening	128"	144"	116"	144"
Fusion - Light Filtering	92½"	144"	92½"	144"
Marbled - Room Darkening	70"	144"	70"	144"
Solar Screen 1%	128"	144"	116"	144"
Solar Screen 5%	128"	144"	116"	144"

**NOTE:** Maximum cordless size is 78" x 96". Shades over this size will require continuous-loop lift. See motorization section for motorized size considerations.

### Spring Assist Continuous-Loop Lifting Mechanism

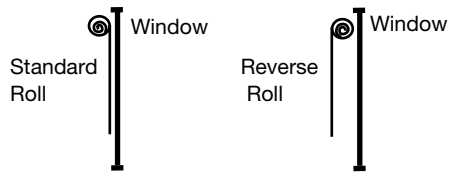
Recommended for shades exceeding 69 square feet. Also required for very large shades. Can be added to smaller shades to ensure ease of function.

### Mounting Depth Requirements

Product Type	Control Type	Flush with Casing Mount (in)	Minimum Depth Mount (in)
No Valance	Cordless Lift	2¼	17/8
	Continuous-Loop Lift	3¼	27/16
	Motorized Lift	2 <sup>15</sup> / <sub>16</sub>	2¼
	Dual Shade	6 <sup>3</sup> / <sub>8</sub>	5
Cassette Valance	Cordless Lift	3 <sup>13</sup> / <sub>16</sub>	1 <sup>9</sup> / <sub>16</sub>
	Continuous-Loop Lift		
3" Fascia	Cordless Lift	3 <sup>1</sup> / <sub>8</sub>	2½
	Continuous-Loop Lift		
	Motorized Lift		
7½" Fascia	Dual Shade	5 <sup>5</sup> / <sub>8</sub>	4 <sup>1</sup> / <sub>16</sub>

# Options

## Reverse Roll



- **No charge**
- Standard roll is where fabric rolls over the tube to the back
- Reverse roll is where the fabric rolls over the tube to the front
- Reverse roll not available with cassette valance
- Roll direction cannot be changed after shade is manufactured

**NOTE:** For optimal privacy and light control, standard roll should be used.

## Light Gap



Inside mount light gap  
(Refer to light gap chart)

## Valance



Cassette Valance

### 3/4" Cassette Valance

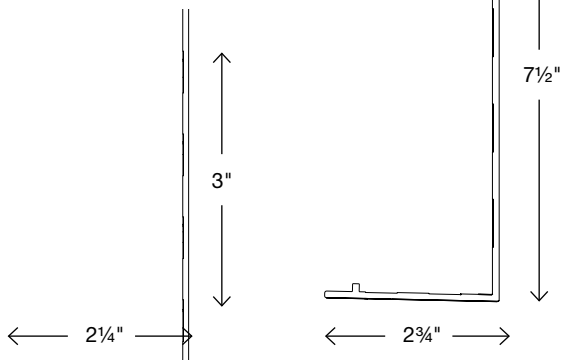
- Curved valance with a coordinating fabric insert
- Available in Alabaster, Black, Bronze, Clear Anodized and White
- Not available with motorized lift

### 3" Fascia

- Add a modern flair with the addition of a 3" extruded aluminum fascia
- Available in Alabaster, Black, Bronze, Clear Anodized and White

### 7 1/2" Fascia

- Available with dual shade only
- Available in Alabaster, Black, Bronze, Clear Anodized and White
- Not available with motorized lift

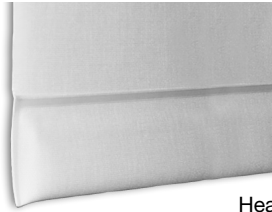


3" Fascia

7 1/2" Fascia

# Options

## Hem Bar



Heat-Sealed Hem Bar



Fabric-Wrapped Hem Bar

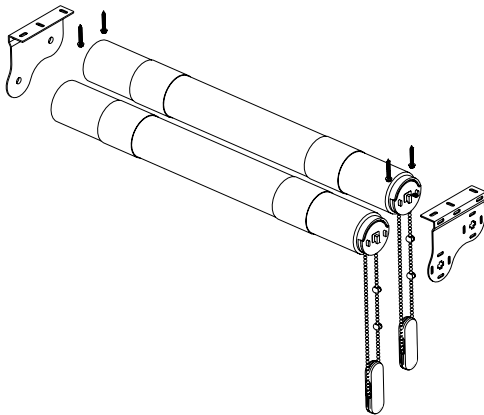
### Heat-Sealed Hem Bar

- **No charge**
- Standard option
- Clean, smooth look
- No exposed parts
- Heat welded into shade fabric with sealed ends

### Fabric-Wrapped Hem Bar

- **For surcharge, see options pricing**
- Roller or solar fabric is wrapped around the front of the hem bar and locked into place at the top and bottom of an aluminum extrusion. The back of the hem bar will be exposed, color-coordinated metal.
- Color coordinated end caps
- Not available with Dual Shades

## Dual Shade



### For surcharge, see price grids.

- Dual shades provide light control flexibility with two fabrics in a single shade.
- Designed to work independently, while combining fabrics from our solar and roller collections.

### Recommendations

- Use the back shade for light control
- Outside mount is recommended for optimal light control
- Available with continuous-loop lift only
- Wall mount installation requires the front shade be a reverse roll
- 7½" fascia option available
- To price a dual shade, add the price of the front shade and the back shade with options

# Simple RTS Features and Size Considerations

## Motorized Lift



Refer to individual product information guide for specific option and size information for the product being ordered.

### Shade Features

- Available with standard or reverse roll  
**NOTE:** Reverse roll not available with fascia
- Available with 3" fascia
- Motor can be placed on the left or right. (Right is standard.)
- Motor memory for up to four (4) remotes maximum

### Control Options Available

- Remote: convenient, portable control (see Simple RTS options for availability)

**NOTE:** Motorization components and accessories have a five-year limited warranty, excluding batteries.

## Radio Frequency (RF)

Simple RTS shades feature Somfy® motors and accessories. All Somfy radio frequency motors utilize Somfy's proprietary protocol Radio Technology Somfy® (RTS). Motorized shades feature the following:

- Allows multiple window treatments to be operated simultaneously
- Removes accessible cords for a safer alternative in homes with children and pets
- Manages warm and cool air loss for a great way to reduce your energy bill in any season
- Protects furniture from UV rays

### Control Options Available

- Remote: convenient, portable control (single-channel available)

## Size Considerations

Fabric	Width (inches)	Height (inches)
<b>Motorized Lift</b>		
Classic Neutrals - Light Filtering	72"	72"
Classic Neutrals - Room Darkening	72"	72"
Fusion - Light Filtering	72"	72"
Marbled - Room Darkening	70"	72"
Solar Screen 1%	72"	72"
Solar Screen 5%	72"	72"

Minimum width: 13"

Minimum height: 13"

## Power Size Considerations

Fabric	Recommendation Based on Maximum Shade Size (square inches)		
	Battery Tube AA Alkaline	Dual Battery Tube AA Alkaline	Plug-In Transformer
Fusion; Classic Neutrals LF (Fabric Group A)	<5,200	<5,200	<5,200
Marbled RD; Classic Neutrals RD (Fabric Group B)	<3,500	>3,500	>3,500
Solar Screen 5% (Fabric Group C)	<2,500	>2,500	>2,500
Solar Screen 1% (Fabric Group D)	<1,750	>1,750 and <4,000	>4,000

**NOTE:** 72" x 72" = 5,184 square inches in area. This is the maximum shade size. Shade size maximum limit may be smaller based on fabric group.

## Simple RTS Options

### 12-Volt Power Components

Simple RTS is only available for solar and roller products. Each fabric has a power source recommendation chart. See the power considerations below for options. 12-volt motors can be powered by batteries or plug-in transformer.

#### Battery Tube Considerations

**Battery power recommended for maximum of 10 shades for best battery performance.**

Battery tubes are installed outside of the product and can be challenging to hide in some applications.



Outside Mount



Inside Mount

- For outside mounts, battery tubes can be installed above or to the side of the shade
- For inside mounts, battery tubes are usually top-mounted (behind the headrail) between the shade and the window; to mount the battery tubes, additional recessed space will be needed

### Simple RTS Low Voltage 12-Volt Power Components



#### Battery Tubes

- Reloadable and available with or without batteries
- 10 AA alkaline batteries
- Each tube includes 2 battery clips
- Optional 48" or 96" extensions available
- Dual tubes include an offset Y harness 11" and 27¼" cable lengths (dual tubes are not required for any size horizontal blinds)
- Review the size consideration charts for power recommendations; each fabric has a specific recommendation for dual battery tubes and plug in transformer
- Battery power recommended for maximum of 10 shades for best battery performance

**Battery tube dimensions:** 21¾" x 1⅞"

**Battery tube with flush mount:** Product flush mount + 1⅞"

**Battery tube minimum recessed space:** Product minimum recessed space + 1⅞"

**Dual battery tube with flush mount:** Product flush mount + 2¼"

**Dual battery tube minimum recessed space:** Product minimum recessed space + 2¼"



#### DC Plug-In Transformer Considerations

**A power outlet must be within cord length to power motor.**

**12-Volt Transformer:** 72" power cord and 96" extension cable (power cord and extensions cannot be cut to length).

- Dimensions: 3¼" wide x 2" deep (not including plug) x 1½" high (as you look at the plug in the outlet)

### Simple RTS Radio Frequency (RF) Control

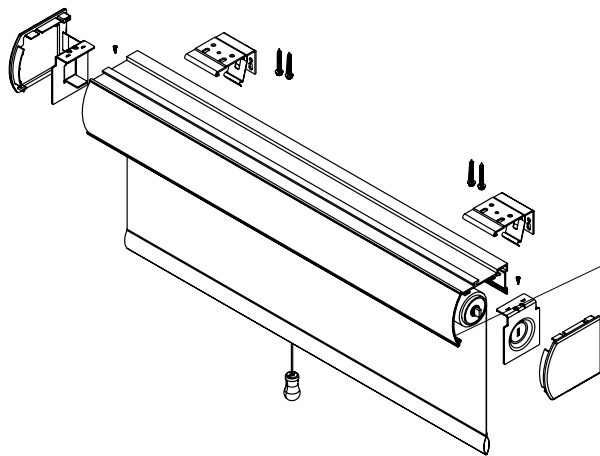


#### Simple RTS Hand-Held Remote

- RTS range 65 feet
- Single-channel remote
- Used to control single shades performing the same function
- Battery included—CR2032

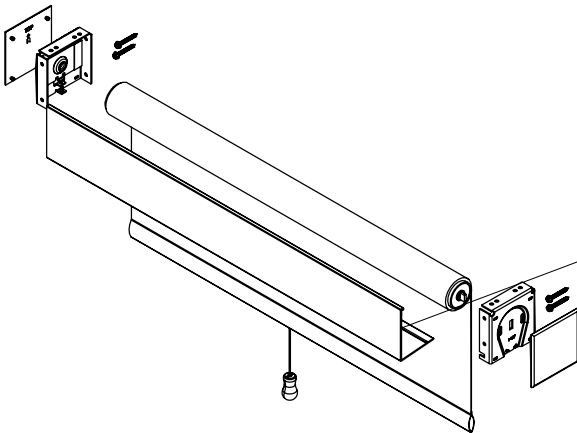
## General Information

### Cordless Lift Shade Product Detail



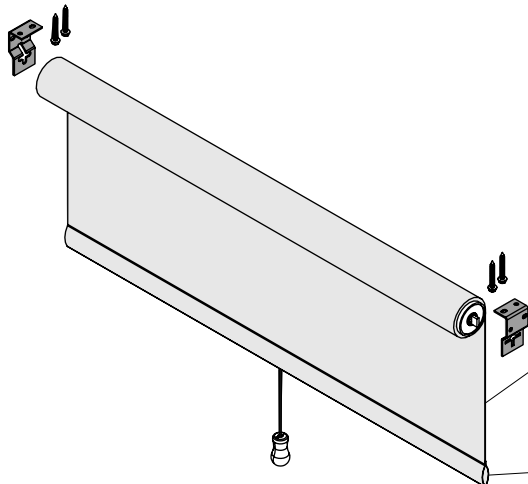
#### Cassette Valance (optional)

- Cassette valance is a sleek, aluminum-extruded cassette system covered in fabric to match shade



#### 3" Fascia (optional)

- Available in 5 colors to coordinate with the fabric choice: Clear Anodized, White, Bronze, Alabaster, and Black



#### Shade Fabric

- Roller styles ranging from light and dark-colored solids to beautiful jacquard weaves
- Solar fabrics available in 1% or 5% openness

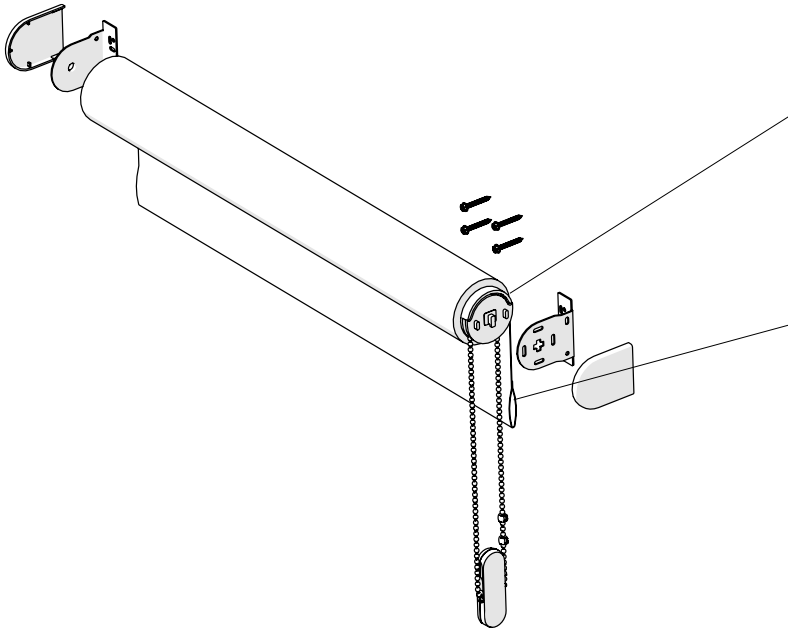
#### Hem Bar

- Optional Fabric-Wrapped Hem Bar shown
- Heat-Sealed Hem Bar is standard

**NOTE:** All cordless lift shades need to be used on windows where the consumer can comfortably raise and lower the shade with their hand and have easy access. Very high or hard-to-reach windows should use continuous-loop lift, rather than cordless lift.

# General Information

## Continuous-Loop Lift Shade Product Detail

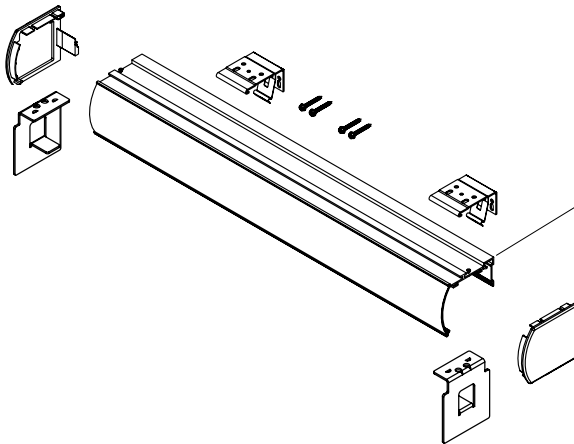


### Shade Fabric

- Roller styles ranging from light and dark-colored solids to beautiful jacquard weaves
- Solar fabrics available in 1% or 5% openness

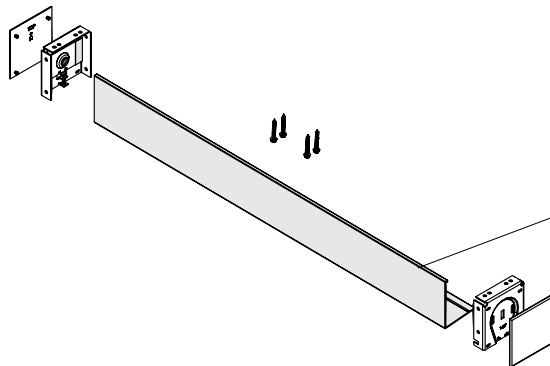
### Hem Bar

- Optional Fabric-Wrapped Hem Bar shown
- Heat-Sealed Hem Bar is standard



### Cassette Valance (optional)

- Cassette valance is a sleek, aluminum-extruded cassette system covered in fabric to match shade



### 3" Fascia (optional)

- Available in 5 colors to coordinate with the fabric choice: Clear Anodized, White, Bronze, Alabaster, and Black

## General Information

### Cleaning Instructions

Solar and Roller Shades are easy to keep looking fresh and new for years. Regular dusting with a feather duster is recommended. When necessary, fabric can be lightly vacuumed with a brush attachment.

If the solar or roller shades become soiled with topical dirt (i.e. dirt that is resting on the surface of the fabric), we recommend that the shade be spot cleaned using a soft rag or sponge, with a mild detergent and warm water. Do not use strong detergents or spot removers.

Dry cleaning is not recommended and is not covered by warranty.

Professional blind cleaners use a variety of methods to clean blinds and vary in their capabilities. While Springs Window Fashions knows that many of our window treatments can be safely cleaned using the appropriate ultrasonic or injection/extraction cleaning methods, we cannot guarantee the outcome of any cleaning services provided by an independent company.